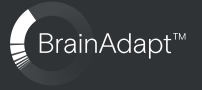


EPOS



IMPACT 700 Series

Ensure customer satisfaction on every call with a headset that delivers rich, natural sound no matter the level of background noise. Three digital microphones built on EPOS BrainAdapt™ provide industry-leading voice pickup to let your agents be heard.



Key Features

Stay Comfortable Throughout the Day

Lightweight headset for next level comfort with soft, leatherette earpads crafted for all-day wear to ensure agent well-being.

Built for laser-sharp focus in busy work environments

Stay focused on the customer with passive noise dampening, incoming speech clarity, and ActiveGard™ acoustic shock protection.

Ergonomic inline controller for frictionless calls

Effortlessly answer calls, mute the mic, and change volume with an intuitive inline controller that's always where you need it.

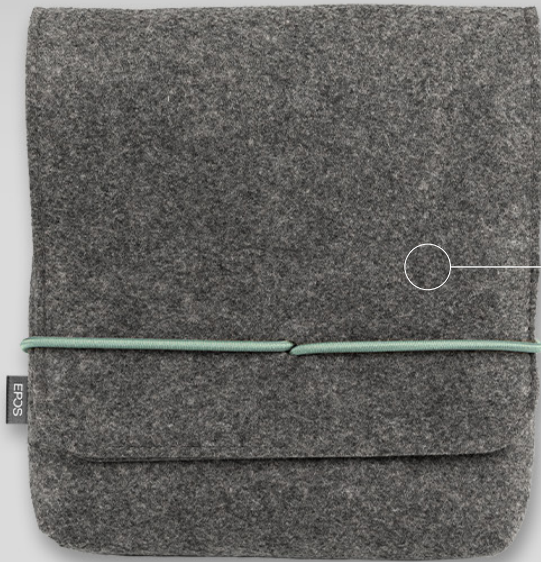
Backed by exclusive 3-year extended warranty

Get peace of mind with a product that is engineered to withstand prolonged heavy use and truly built to last for years.

Industry-leading voice pickup for natural-sounding calls

Enjoy exceptional call clarity with three beamforming mics powered by EPOS AI™ that suppress noise and transmit natural voice.

What's in the Box



Carry Pouch



Safety Guide

Quick Guide

Compliance Sheet



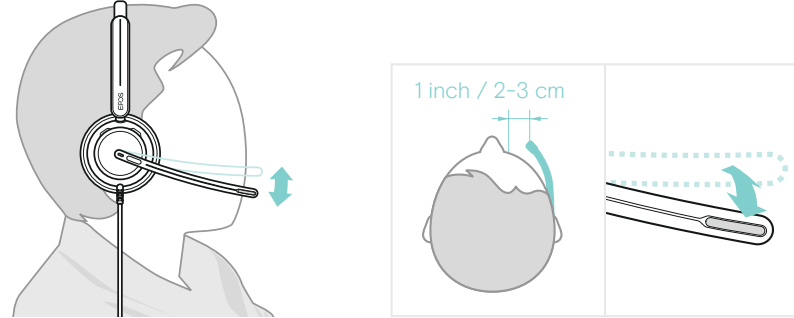
IMPACT 700



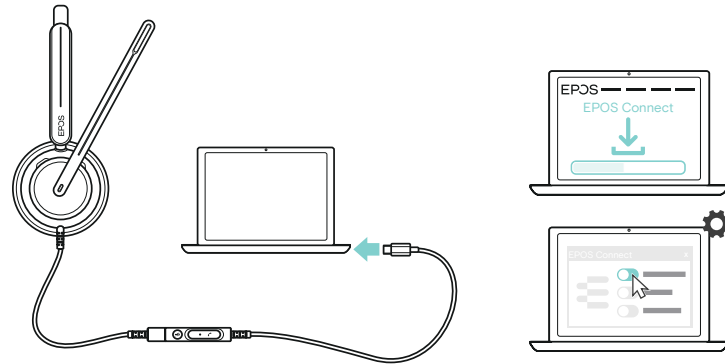
USB-C to USB-A Adaptor

How to Use the IMPACT 700

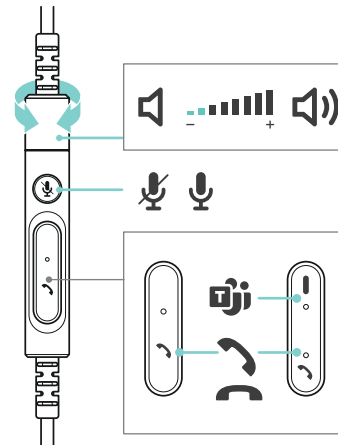
Adjusting and wearing the headset



Connecting



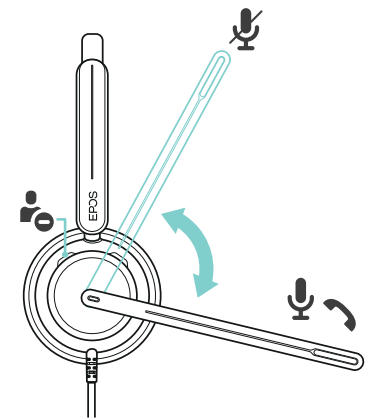
Adjusting the volume



Mute/unmute



Accept/end a call



Additional benefits & features



Controller that's always at hand

Just 25 cm from the headset, the inline controller never gets lost or fumbled.



Practical mute alert

LED on the tip of the mic flashes to notify you if you try to speak while muted.



Busylight for fewer interruptions

360-degree busylight clearly signals to others when you're not to be disturbed.



Intuitive smart features

Mute/unmute or answer calls by moving the boom arm or taking the headset on/off.



Integrates perfectly with EPOS Manager

Analyze, manage, and update devices remotely with the free, secure tool.



ActiveGard™ for hearing safety

ActiveGard™ technology prevents loud spikes and supports noise-at-work compliance.



Sidetone encourages softer conversations

Audible voice feedback helps agents speak in a softer, more pleasant tone.



Multiple connection options

Includes a USB-C to USB-A adapter for flexible, future-proof ease of use.



Guaranteed compatibility

Optimized for Contact Center platforms and certified for leading UC providers.



Compact and easy to transport

The slim headset folds flat to fit neatly in the compact storage pouch.

Product data

1/3

General

Wearing style	On-ear, headband. Single- and double-sided variants
Headset weight	Double-sided: 115 g Single-sided: 80 g
Connectivity	USB-C & USB-A (USB adaptor included)
Cable length	1.8 m 5.9 ft
Warranty	3 years

Audio

Microphone technology	Adaptive beamforming microphone system powered by EPOS AI™
Speaker frequency response	20 Hz - 20 KHz
Microphone type	3 digital MEMS
Microphone frequency response	100 Hz - 16 KHz
Bandwidth in call mode (Speaker + Mic)	Super Wideband

Product data

2/3

Products variants

IMPACT 730/730T

IMPACT 760/760T

Software

EPOS devices can be managed with following Software solutions:

EPOS Connect

EPOS Manager

What's in the box

Single-sided headset, wired USB-C with inline controller, USB-C to A adaptor, Carry pouch, Quick Guide, Safety & Compliance sheet.

Double-sided headset, wired USB-C with inline controller, USB-C to A adaptor, Carry pouch, Quick Guide, Safety & Compliance sheet.

Conduct firmware updates and configure headsets for personal audio preferences.

EPOS Connect works for Windows, Mac® and VDI/Thin client environments: eposaudio.com/software-epos-connect

Manage, update and configure EPOS audio devices from any location.

For both cloud and on-premises solutions: eposaudio.com/software-epos-manager

Product data

3/3

Product	Connects to	Certifications	EAN code	UPC code
IMPACT 730 Art. no. 1001211	USB-C / USB-A	Compatible with leading contact center platforms and UC providers	57 14708 01016 6	8 40064 41016 8
IMPACT 730T Art. no. 1001212	USB-C / USB-A	Compatible with leading contact center platforms and UC providers, Certified for Microsoft Teams	57 14708 01017 3	8 40064 41017 5
IMPACT 760 Art. no. 1001213	USB-C / USB-A	Compatible with leading contact center platforms and UC providers	57 14708 01018 0	8 40064 41018 2
IMPACT 760T Art. no. 1001214	USB-C / USB-A	Compatible with leading contact center platforms and UC providers, Certified for Microsoft Teams	57 14708 01019 7	8 40064 41019 9

Accessories & Spares

1/1

Product	Variant number	Variant Short Description	EAN code	UPC code
MPACT 700 ear pads	1001230	Leatherette ear pads - 2 pcs.	57 14708 01037 1	8 40064 41037 3

Appendix

1/1

Additional product data

EPOS ActiveGard® technology	Protects users against acoustic injury caused by sudden sound burst on the line
EU Noise at Work limiter*	Enhanced audio protection preventing listening fatigue, average 85 dB over a workday
EPOS BrainAdapt™	For a clear and natural listening experience
Busylight	Yes, 360-degree
Inline Controller	Yes, ultra-small formfactor, placed 25 cm from headset
Smart operation	Yes, mute/unmute or answer calls by moving the boom arm or taking the headset on/off
Earpad size	Ø65 mm
Earpads	Memory foam with leatherette
Mute alert	Yes, visual and audible notification if talking while muted
Incoming Speech clarity	Yes, automatically boost the high frequencies in the incoming voice signal if the speech is muffled
Call volume normalizer	Yes, automatically amplify the voice signal if the incoming speech is low

* In compliance with EU Noise at Work legislation (Directive 2003/10/EC), that sets limits for two types of noise in the workplace: Acoustic burst and Sustained noise.